

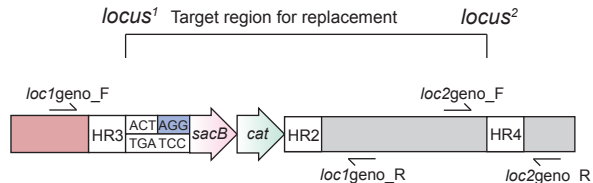
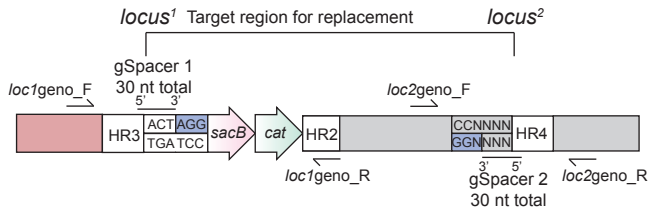
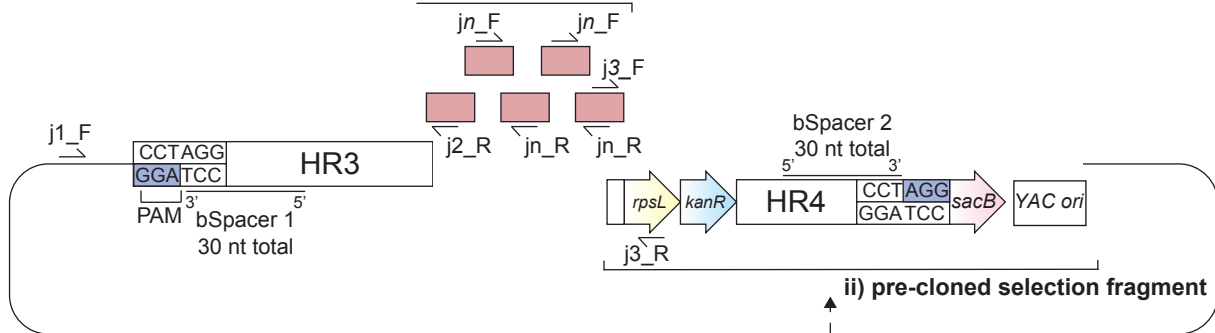
## Supplementary information

---

# Creating custom synthetic genomes in *Escherichia coli* with REXER and GENESIS

---

In the format provided by the  
authors and unedited

**a****REXER2****REXER4****b****i) synthetic stretches****iii) BAC vector**