

A 3-D High-Frequency Array Based 16 Channel Photoacoustic Microscopy System for *In Vivo* Micro-Vascular Imaging

Rachel Bitton*, *Member, IEEE*, Roger Zemp, *Member, IEEE*, Jesse Yen, *Member, IEEE*, Lihong V. Wang, *Fellow, IEEE*, and K. Kirk Shung, *Fellow, IEEE*

Abstract—This paper discusses the design of a novel photoacoustic microscopy imaging system with promise for studying the structure of tissue microvasculature for applications in visualizing angiogenesis. A new 16 channel analog and digital high-frequency array based photoacoustic microscopy system (PAM) was developed using an Nd:YLF pumped tunable dye laser, a 30 MHz piezo composite linear array transducer, and a custom multichannel receiver electronics system. Using offline delay and sum beamforming and beamsteering, phantom images were obtained from a 6 μm carbon fiber in water at a depth of 8 mm. The measured -6 dB lateral and axial spatial resolution of the system was $100 \pm 5 \mu\text{m}$ and $45 \pm 5 \mu\text{m}$, respectively. The dynamic focusing capability of the system was demonstrated by imaging a composite carbon fiber matrix through a 12.5 mm imaging depth. Next, 2-D *in vivo* images were formed of vessels around 100 μm in diameter in the human hand. Three-dimensional *in vivo* images were also formed of micro-vessels 3 mm below the surface of the skin in two Sprague Dawley rats.

Index Terms—High-frequency ultrasound, multichannel receiver electronics, photoacoustic imaging, transducer array.

I. INTRODUCTION

STUDIES in oncology have shown that angiogenesis, the formation of new blood vessels within a tumor, or the growth of new blood vessels between a tumor and surrounding tissues, plays a critical role in tumor growth and metastasis of cancer [1]–[3]. Tumors need to be supplied by blood vessels, delivering oxygen and nutrients while removing metabolic waste in order to propagate. While the formation of new micro-vessels (vessels smaller than one millimeter) can be part of normal development and wound healing, it is also a key

initial step in tumor progression, since tumor cells induce angiogenesis [4]. A high-resolution imaging technology capable of visualizing micro-vessels would lend the ability to identify part of the early angiogenic process.

The development of novel approaches to biomedical imaging is stimulated by the manifest need for high-speed, high-resolution noninvasive techniques. Laser induced photoacoustic microscopy is an imaging modality based on the intrinsic optical properties of biological tissue and ultrasonic detection at high frequencies (> 20 MHz). Photoacoustic imaging uses short laser pulses that are absorbed in the tissue to cause acoustic pressure transients, which are detected with an ultrasonic transducer. Two factors provide exceptional motivation for the development of photoacoustic methods as a diagnostic tool in vascular imaging, the strong intrinsic optical absorption of blood, and the resolution per image depth of ultrasound.

Because of the strong scattering of light in biological tissue, optical imaging methods such as confocal microscopy and optical coherence tomography (OCT) suffer from degraded spatial resolution with increased depth. Confocal microscopy and OCT are limited to resolutions between 1–2 μm at a 0.5 mm image depth, and around 16 μm at a 2.5 mm image depth, respectively. [5]–[8]. In ultrasound, the scattering of energy is several orders of magnitude weaker than optical scattering. Therefore, energy can penetrate deeper into the tissue, providing submillimeter resolution at greater imaging depths compared with the optical limit [9]. For example, ultrasound backscatter microscopy (UBM) systems are capable of imaging at depths of 20 mm with a 115 μm spatial resolution, and 4 mm image depths with 50 μm spatial resolution [10], [11]. Nevertheless, ultrasonic imaging suffers from reduced contrast because the detection of the backscattered signals is based on the differences of the acoustic properties in biological tissue. This presents unique position for photoacoustics, juxtaposed between two basis imaging modalities, ultrasonic and optical imaging. Photoacoustic imaging brings optical based contrast into the ultrasonic depth imaging range, attempting to capitalize on the strengths of both optical and acoustic techniques. Inherent to the technology are capabilities for functional information to be extracted [12]. By characterizing the spectrum of different optical absorbers and irradiating the sample at multiple wavelengths, photoacoustic experiments have distinguished between oxygenated and deoxygenated hemoglobin [13].

The draw to image at higher frequencies is palpable; spatial resolution improves with increased frequency. Much of

Manuscript received April 01, 2008; revised September 25, 2008. First published January 06, 2009; current version published July 29, 2009. This work was supported in part by the National Institute of Health under Grant R01 EB000712 and Grant P41-EB2182. *Asterisk indicates corresponding author.*

*R. Bitton was with University of Southern California, Los Angeles, CA 90089 USA. She is now with the Department of Radiology, Stanford University, Stanford, CA 94305 USA (e-mail: rbitton@stanford.edu).

R. Zemp was with Washington University, St. Louis, MO 63130 USA. He is now with the Department of Electrical and Computer Engineering, University of Alberta, Edmonton, AB, T6G 2V4 Canada (e-mail: zemp@ece.ualberta.ca).

J. Yen and K. K. Shung are with the Department of Biomedical Engineering, University of Southern California, Los Angeles, CA 90089 USA (e-mail: jesseyen@usc.edu; kkshung@usc.edu).

L. V. Wang is with the Department of Biomedical Engineering, Washington University, St. Louis, MO 63130 USA (e-mail: lhwan@biomed.wustl.edu).

Color versions of one or more of the figures in this paper are available online at <http://ieeexplore.ieee.org>.

Digital Object Identifier 10.1109/TMI.2008.2011899

the work in high-frequency photoacoustic imaging has been generally confined to mechanical scans with single element transducers [14]–[17]. Methods of image reconstruction include a backprojection approach or simple time of flight measurements, as in traditional ultrasound. Backprojection techniques are similar in concept to X-ray computed tomography (CT) and positron emission tomography (PET) scans. Various algorithms have been derived for the inverse solution to the wave equation, based on diffraction optics, to form the reconstructed image [18], [19]. This method has been used to image mouse brain tissue in photoacoustic computed tomography (PAT) [20]. In this approach, a tomographic circular scan is performed using an unfocused wideband single element transducer which is scanned mechanically. High-resolution PAT circular scan images have been produced using offline backprojection reconstruction [21]. Backprojection reconstruction has also produced some trail artifacts inherent to the technique when imaging small dark absorbers such as hair fibers in tissue phantoms [17]. Unlike PAT, backward mode detection uses a focused transducer. High frequency photoacoustic images of rat micro-vessels *in vivo* have been produced by using a single element transducer, backward mode detection, and the synthetic aperture method. In one experiment, a 50 MHz, single element transducer with a large numerical aperture was scanned linearly across a single axis [18], [22]. There are two disadvantages to this technique; a large numerical aperture will cost imaging depth due to beam divergence past the focal zone, and the long scan time needed for mechanical scanning of the transducer. Experiments *in vivo* or *in situ* are affected by the passage of time. The condition of the live animal will change over time, and in some cases the animal may expire before the scans are complete. This is certainly a problem for functional imaging as oxygenation and blood perfusion vary after expiration.

The advantage of photoacoustic microscopy with transducer arrays over single element photoacoustic tomography is the potential to image in real time with higher frame rates. Transducer array technology facilitates fast acquisition times, as well as electronic steering and focusing of the receive beam. Arrays provide parallel photoacoustic signal detection through adjacent transducer elements which each possess their own electrical connections. Although array technology is common in frequencies below 20 MHz, high-frequency transducer arrays pose challenges both in the fabrication process, performance demands, and parallel multichannel electronic system design [23]. The frequency of the photoacoustic echoes that are generated are dependent on the size of the vessel or absorber, causing the bandwidth performance of the transducer to be of particular importance. For high-frequency arrays, the complexity of high speed electronic design increases as channel number increases. Proper noise suppression, isolation, sampling, and critical timing restraints set the boundaries for high frequency photoacoustic systems. Until now, most of the work in photoacoustic imaging has been executed using commercially available components either in single element transducer/single channel systems using oscilloscopes, or using lower frequency arrays with commercial ultrasound systems [16], [17], [24]. Our aim was to create a novel multichannel high-resolution photoacoustic microscopy system to visualize

micro-vascular structures in rats. In this paper, we present a prototype 16 channel receiver system which was developed to accommodate a custom made high frequency transducer array.

The photoacoustic microscopy receiver system uses multichannel parallel signal processing, in backward mode detection, to acquire the raw data from each element in the transducer array. This method is especially useful and differs from current high-frequency ultrasound linear array systems in which active channels are beamformed via hardware, followed by transfer of the beamformed data to a PC [25]. Transmitting and capturing the raw radio-frequency (RF) data from all active channels provides the distinctive ability to access RF data from each individual element, allowing the most flexibility for beamforming, and image reconstruction.

II. THEORY

Photoacoustic imaging has its physical basis in a phenomenon called the optoacoustic, or photoacoustic effect. This effect can be observed in a variety of media, including biological tissue, wherever pulsed electromagnetic energy can be absorbed [24]. Under conditions of thermal and stress confinement, short laser pulses will induce acoustic waves most efficiently. As incident laser light in the visible spectrum interacts with tissue, it is either absorbed by local chromophores, or scattered in various extents depending on the inherent optical properties of the tissue [27]. The photoacoustic effect occurs when the pulsed light energy is absorbed locally in biological tissue, and a small rapid temperature rise in the medium causes thermoelastic expansion. This expansion produces pressure transients, which propagate as acoustic waves throughout the tissue omni-directionally [28]. The initial pressure generated, p_i , is related to the spatial portion of heating function $H(\mathbf{r})$ at position \mathbf{r} , and the Grüneisen parameter (Γ). Initial pressure can then be written

$$p_i(\mathbf{r}) = \Gamma \cdot H(\mathbf{r}). \quad (1)$$

In this form, $H(\mathbf{r}) = \mu_a(\mathbf{r})F(\mathbf{r})$, where F is the local fluence in (J/m^2), determined by the incident light as well as the scattering and absorption parameters μ_s and μ_a , respectively [29]. Subsequent pressure generated at given time and position incorporates the initial pressure and obeys the common form of the time retarded wave equation. Thus, the pressure profile of the generated photoacoustic echo is based on the optical properties of the target in the media, and does not necessarily mimic the profile of the laser pulse itself.

Tissue absorbs light differently at specific wavelengths, conditional to the optical properties of the medium. Photoacoustic imaging is especially well suited for vascular imaging since in the visible spectrum, light absorption in subdermal tissue is principally due to the dominant chromophores oxy- and deoxy-hemoglobin [30].

As a result of the high optical scattering of light in tissue, photoacoustic imaging does not focus the transmit (light) beam as in ultrasonic imaging techniques. Rather, photoacoustic imaging utilizes the multiple scattering effects to its advantage. While optical based methods rely on the signals of only singly backscattered photons [8], which effect image speckle and limit penetration depth, the cumulative effect of multiple scattering aids to a better perfusion of energy, and maximizes irradiation

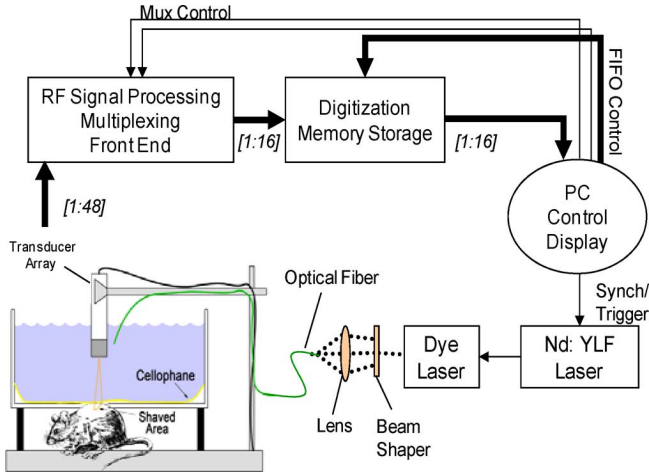


Fig. 1. PAM system setup. The laser is triggered and coupled by a lens to an optical fiber to illuminate the sample. Photoacoustic waves are received through 48 elements in the transducer array. For each laser event, the system provides the receive front end, filtering and amplification stages, and transfers raw data from 16 elements of the array. The laser fires 3 times in order to collect the photoacoustic data from all 48 elements in the array.

homogeneity of the tissue. Photoacoustic signals are generated from the region of interest within the tissue. Consequently, they are subject to only one-way, rather than round-trip, ultrasonic image quality degrading aberrations. Additionally, the echo wait time is approximately half that of ultrasound. For single wavelength excitation, it is possible that a multichannel photoacoustic imaging system with the proper parameters would be capable of constructing *in vivo* images in real time with only one nanosecond duration laser pulse.

The axial and lateral resolution of a photoacoustic image is determined by the generated acoustic echo and transducer properties. The beam width of the active transducers in the array scan determines the theoretical lateral spatial resolution of the system. It can be related proportionally to the transducer wavelength by

$$LR \approx f_{\#} \lambda \quad (2)$$

where the f number, $f_{\#}$, is the ratio of focal distance to aperture dimension.

III. MATERIALS AND METHODS

A. System Design

The photoacoustic microscopy system is comprised of three main components: An Nd:YLF laser source used to irradiate the tissue and induce photoacoustic waves, a 48 element piezo composite transducer array which receives the photoacoustic waves, and a custom 16 channel parallel receive electronic system. The photoacoustic electronic system controls the laser operations, and processes and digitizes the data from the transducer array (Fig. 1). In the experimental setup both the transducer array and optical fiber are mounted on a 3-D translation stage, and then lowered into a water tank. The process initiates when a TTL signal from the photoacoustic system motherboard triggers the laser pulse to irradiate the sample through the optical fiber positioned obliquely to the sample and array. After each laser pulse, the 16 element subaperture is processed through the analog and

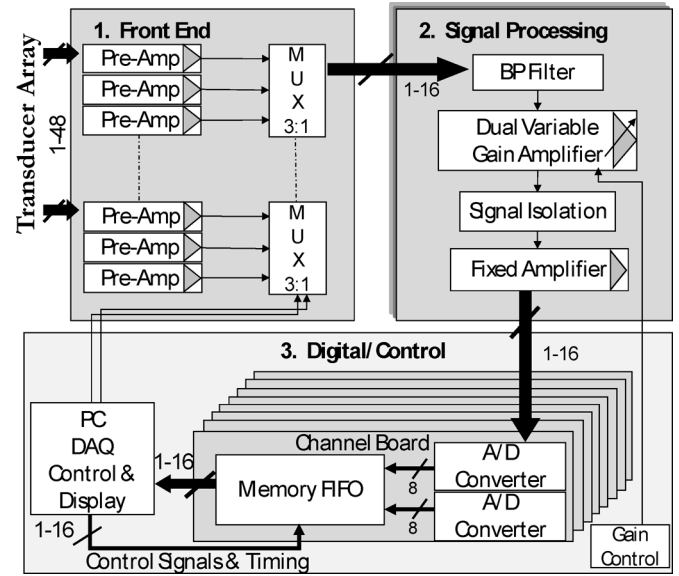


Fig. 2. PAM receive system architecture. The transducer array elements all receive preamplification before being multiplexed. The channels then pass through filtering, variable, and fixed gain stages before A/D conversion. Eight channel cards accommodating two channels each send digital data to the computer via the PCI bus.

digital boards, and then stored to the PC. To fully sample the 48 element array, the laser fires three times for each image acquisition. Algorithms were written for the PAM system in Labview and Matlab. They provide a user interface, and delay and sum photoacoustic image reconstruction.

The laser setup includes a diode-pumped Nd:YLF Q -switched laser (INNOSLAB Edgewave, Germany) and a tunable dye laser (Cobra, Sirah Laser, Germany). The Q -switch is an externally triggered attenuator which modulates the Q factor of the optical resonator cavity, producing 6.5 ns pulses at 14 mJ when deactivated. The dye laser is used to tune the light to 598 nm, and produced 2 mJ per pulse. The light is then coupled by a beam shaper and microscope objective into a 600 μm optical fiber which delivered a per pulse energy of 0.8 mJ. Since the area of illumination on the skin surface was about 2×4 mm, the energy fluence was estimated as 10 mJ/cm^2 (ANSI maximum = 20 mJ/cm^2).

The linear transducer array used is constructed of a 2–2 piezo composite material measuring $\sim 4.8 \text{ mm} \times 2 \text{ mm}$ in the azimuth and elevation directions, respectively. It contains 48 rectangular elements centered at 30 MHz, and is used in receive mode only. The array elements bear a 2λ (100 μm) pitch, and use a lens to form an elevational focal depth of 8 mm [29]. The simulated one way -6 dB fractional bandwidth (full-width half-maximum) of the array is 70%. The receive electronics were developed to include signal processing and data transfer in two separate stages; analog and digital (Fig. 2). All 48 elements are connected to receive circuits including preamplification. They are then multiplexed down to create 16 active channels which pass through filtering, fixed and variable gain stages. The 16 analog channels are then converted to 16 digital channels using eight channel boards which digitize two channels each and store in temporary memory before transfer to the computer.

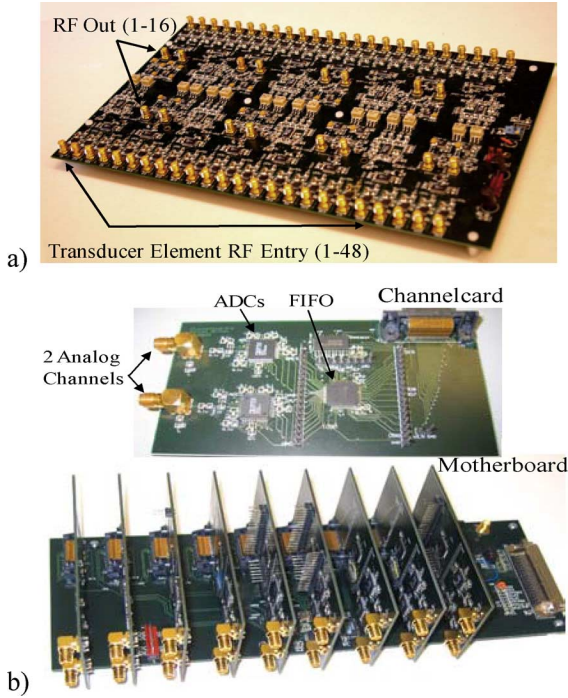


Fig. 3. Photograph of the fabricated a) 16 channel analog receiver board implemented on a four-layer PCB and b) digital PAM system with motherboard and channelcards implemented on a six-layer PCB.

The first stage is comprised of the front end receive and signal processing electronics (Blocks 1 and 2, Fig. 2). The array elements interface with the PAM system through RG-174 shielded RF cables and SMA connectors [Fig. 3(a)]. On the front end receive system; each of the 48 elements contains a fixed, ultra low noise, 18 dB, preamplification stage (MAX4107, Maxim/Dallas Semiconductor). Four-to-one multiplexers are used to select between elements (AD8184, Analog Devices), forming 16 active channels. Following channel formation, a fourth-order Butterworth band pass filter is used to remove spurious signals with frequencies out of the desired transducer response. The filter was designed to have a wide response and sharp cutoff so that it can also double as an anti-aliasing filter before analog to digital conversion stages. The signal is then amplified by low noise, dual variable gain amplifiers (VGA) providing a 0–40 dB gain range (AD8332, Analog Devices). The differential outputs of the VGA are converted back to single ended signals through transformers (T1 6T, Minicircuits), which also provide signal isolation. A final fixed gain stage boosts the signal another 20 dB. The measured system receiver gain provides a selectable range from 33–73 dB.

The second stage of the receiver system digitizes, provides the timing network for the system, and controls data transfer through a motherboard-channelboard scheme (similar to the design within a PC) (Block 3, Fig. 2). The digital system supplies the master triggering, providing clock synchronized triggers for the laser, the receive electronics, and the PC data transfer card. The laser is triggered first at a 5-Hz repetition rate. After a programmable delay, the acquisition is triggered to account for the latency between the laser trigger and the optical delivery. The 16 channel group raw data is acquired in less than 11 ms after

each laser pulse. Then, handshaking control and clock signals are provided to transfer data using a PCI based digital NI-6534 card (National Instruments). Each complete image frame required three laser shots.

The high-frequency array imposed challenges on electronic component performance and on system design. High-speed considerations for multichannel systems such as bus topology, impedance matching, and clock synchronization influenced both schematic design and manual board layout. To ensure proper timing synchronization of multiple channels, all control and clock signals are based on divisions of a single 100-MHz oscillator. The digital system contains nine channelboards that plug into a motherboard through high speed connectors (*Q*-Series, Samtec) [Fig. 3(b)]. Each channelboard receives two analog channels, and contains two 8-bit, 100 MHz, analog-to-digital converters (AD9054, Analog Devices), one 16-bit temporary memory storage FIFO with 1 K depth, providing an imaging depth of about 15 mm (SN74V225, Texas Instruments). Each FIFO is shared between two channels, and a line driver on each channelboard selects a particular board for transfer. The first eight channelboards digitize each group of 16 elements from the array, while the ninth channel is dedicated to laser energy measurements, provided by a photodiode. The motherboard provides the 16-bit data bus; interconnect to channelboards and to the PC, as well as the clock distribution network. Using the 16-bit NI-6534 running at 12.5 MHz, digital data is transferred to the PC at a rate of 25 MB/s for each channelboard.

B. Image Reconstruction

Images are created using offline delay and sum beamforming and beamsteering. To calculate a single image A-scan line the RF data is used from all 48 elements, rather than the 16 element subaperture. This establishes a narrow beam focus and thus, a more desirable lateral spatial resolution. To form the beam and steer the beam, delays are applied to each element using a simple geometric model. Assuming a distance d to the target point at a lateral distance x_n and angle φ from the element in question (relative to the center element reference), the time delay $\Delta\tau_n$ for element number n can be written as

$$\Delta\tau_n(d, \varphi) = \frac{\sqrt{(x_n + d \sin \varphi)^2 + d^2 \cos^2 \varphi} - d}{c_a} \quad (3)$$

where c_a is the sound velocity through the medium. This is identical to conventional ultrasound time delay calculations except that the one way trip distance for received echoes is accounted for applying $c_a t = d$.

During beamformation, coherence factor weighting was applied to the phantom image data. This technique aids to reduce focusing errors resulting from sound velocity inhomogeneities, as well as steering errors. The coherence factor equation is given by

$$CF(t, \varphi_s) = \frac{\left| \sum_{n=0}^{N-1} S(n, t - \Delta\tau_n(d, \varphi_s)) \right|^2}{N \sum_{n=0}^{N-1} |S(n, t - \Delta\tau_n(d, \varphi_s))|^2} \quad (4)$$

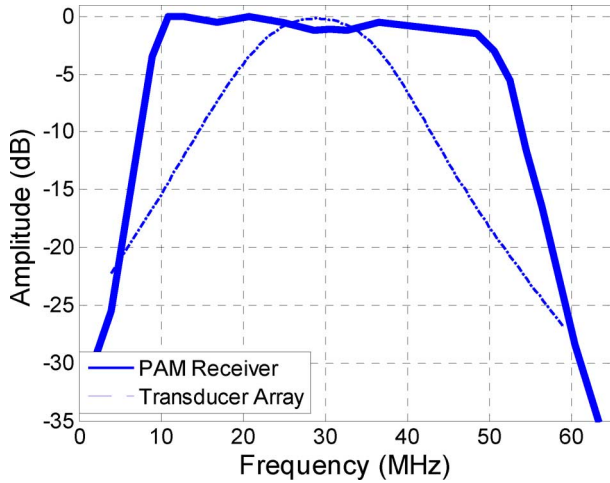


Fig. 4. PAM receiver frequency response and 30 MHz transducer array frequency response.

where N is the number of elements and $S(n, t - \Delta t_n(d, \varphi_s))$ is the channel data for a given scan line angle, φ_s , after the time delays for steering and focusing have been applied [32].

C. Experimental Setup

A spectrum analyzer was used to illustrate the frequency response of the entire receive system. To demonstrate functionality and to characterize system performance, phantom images were obtained. The phantom consisted of a $6 \mu\text{m}$ carbon fiber in water, imaged at the transducer array focal depth of 8 mm.

In vivo rat images were obtained using the same experimental setup as the phantoms for two different rats. A Sprague Dawley rat was prepared by depilating a section on the back to reduce excessive signal loss from the fur and then fixing the animal position below the water tank. Small subcutaneous vessels were imaged at the transducer focus (6–10 mm), and a few millimeters below the surface of the skin. After imaging, the animal was sacrificed, and the area imaged was excised for comparison and verification of vessel structure.

IV. RESULTS

A. System Characterization

To assess the bandwidth of the assembled receiver system, the frequency response was measured between the front end (transducer element input stage) and the final RF output stage using a spectrum analyzer (E4401B, Agilent). The passband of the measured receiver response encompasses the -6 dB one way transducer response and additionally displays a wider band performance (Fig. 4). The transducer array bandwidth dictates the bandwidth for following stages. However, the PAM receiver allows flexibility if the system is later paired with a high frequency array of greater fractional bandwidth, which is currently under development. A 1.2 dB ripple in the measured frequency response is observed due filter trade off relationships that exist between bandwidth, roll-off, and complexity.

To characterize the sensitivity of the front end, the minimum detectable signal was measured. A function generator providing a 30 MHz sine wave was connected to a variable gain attenuator

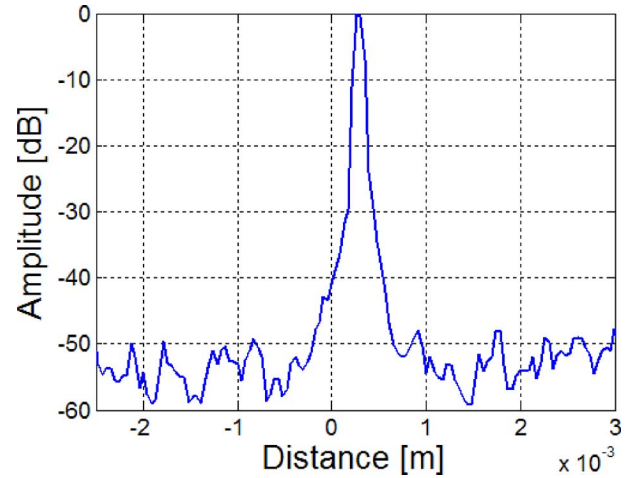


Fig. 5. Line spread function of PAM $6 \mu\text{m}$ carbon fiber phantom constructed from a *B*-scan projected on the X-axis (distance [m]).

and then fed into the front end of the receive electronics. The signal was measured at two subsequent test points, and the minimum detectable signal was calculated given the known input signal and attenuation. Test point 1 was measured using an oscilloscope at the output of the analog signal processing board. Test point 2 was measured after the digital boards, using the RF signal at the PC display stage, to quantify the effect of digital switching noise to the system. The minimum detectable signal was 316 and $500 \mu\text{V}$, approximating the noise floor at test points 1 and 2, respectively. Using the KLM model, the minimum detectable signal of $500 \mu\text{V}$ at 30 MHz corresponds to an estimated minimum detectable transducer pressure of ~ 0.51 kPa.

Spatial resolution information was extracted by imaging a single $6 \mu\text{m}$ carbon fiber in water and projecting the image data onto one axis to construct the line spread function, showing the signal strength versus spatial distance (Fig. 5). Both axial and lateral resolutions were based on the -6 dB width of the carbon fiber in each image direction. The lateral and axial spatial resolution of the system at the transducer focal point was measured as $100 \pm 5 \mu\text{m}$ and $45 \pm 5 \mu\text{m}$, respectively. We have previously reported an axial resolution of $25 \mu\text{m}$ with a similar system [33]. In that study, instead of using the -6 dB width, the axial resolution was measured by superimposing the signal from a single carbon fiber with the signal from the same fiber translated vertically, and examining the envelope. The separation distance between two distinguishable peaks was used as the axial resolution figure of merit, $25 \mu\text{m}$.

To express the dynamic focusing capability of PAM, a composite image was constructed by imaging the $6 \mu\text{m}$ carbon fiber in evenly spaced positions. The images from each carbon fiber represented a matrix of target locations and were combined together to create a composite image. The carbon fiber matrix is made up of 5 rows with a 1 mm separation in depth by nine columns with 1.1016 mm lateral separations (Fig. 6). To obtain this data set, the optical fiber is fixed relative to a single carbon fiber, while the transducer position is moved. This ensures a more uniform illumination of the target regardless of the matrix position. The data was taken with 598 nm wavelength light in water. The two dead elements of the array may explain

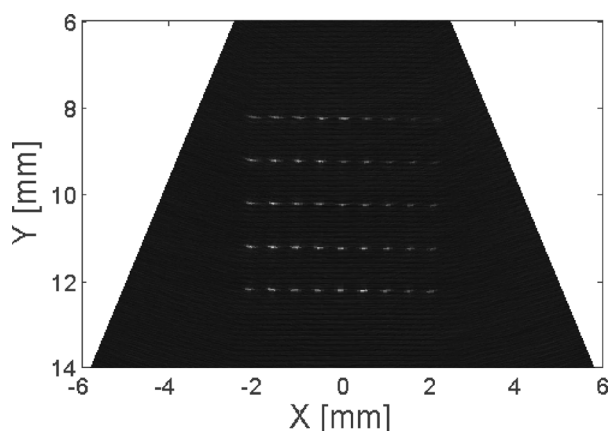


Fig. 6. PAM phantom image composite of a 5×9 matrix of $6 \mu\text{m}$ carbon fibers in water. Image displayed with no averaging and 33 dB dynamic range.

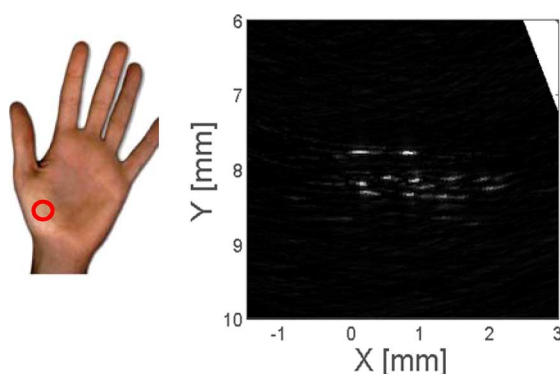


Fig. 7. PAM system *in vivo* image of a cross section of blood vessels in the lower portion of a human hand.

a slight variation in sensitivity (upper right corner); however, it is shown that the targets are well focused throughout the region of interest.

B. Images

In vivo images *B*-scans were obtained from the lower portion of a human hand using a wavelength of 568 nm and a laser fluence of $7 \text{ mJ}/\text{cm}^2$. A number of bright signals from microvessels less than $100 \mu\text{m}$ in diameter can be seen in the center of the image (Fig. 7).

This progression led to 3-D photoacoustic rat microvessel images *in vivo*. Spaced at 0.005 in (0.127 mm) intervals in the elevation direction (perpendicular to the *B*-scan plane), 100 *B*-scans were acquired along the image plane using a three axis translation stage for the transducer array. With $10 \text{ mJ}/\text{cm}^2$ incident fluence at 598 nm and an averaging index of 16, subcutaneous vessels were imaged at depths of 3 mm below the skin's surface (in the 8 mm focal zone) in two Sprague Dawley rats (Fig. 8). Offline image reconstruction was executed in ~ 1 min. Because of the dense vasculature within the tissue, the images shown are reconstructed from a small truncated portion of the data in the depth direction, in order visualize the overlaid vessel structures at a given depth. Microvessels of different diameters and vessel bifurcation can be identified at varying depths within the truncated range. These vessels were not visible from the skin's surface. The animals were then sacrificed and portions of skin excised to verify vessel structures.

V. DISCUSSION

The noise visible in the 3-D image could be related to the 3-D reconstruction static thresholding techniques were used to form the boundaries of the vessel structures as 3-D surfaces. A more robust approach might include a dynamic thresholding technique which could refine the surface boundary threshold for areas outside of the focal zone of the transducer. Additionally, system noise contributions can be related to the lack of shielding of the electronic system. The RF cables used for each transducer element carry small signals that travel from the array to the connector box, and then to the front end of the board. These cables are bundled closely and can contribute to signal loss and potential crosstalk. Future array designs could integrate lines into a single shielded RF connector which plugs directly into the printed circuit board (PCB).

The greatest improvement in signal-to-noise ratio (SNR) may be made in optimization of the light delivery technique. These experiments were conducted with no more than half the laser fluence limit ($20 \text{ mJ}/\text{cm}^2$). A more efficient light delivery scheme could improve the amount of laser energy delivered to the tissue, yielding greater photoacoustic signal strength. Other approaches to photoacoustic sensitivity enhancement are being investigated by the introduction of exogenous contrast agents, such as gold nanoshells [34].

In Fig. 8(c), the upper vessel could not be compared to the photo since that portion of the tissue was not recovered during the skin excising process. Some vessels are also disconnected by a missing slice which may have been caused by missing data sets, motion artifacts, or could possibly be improved by decreasing the slice intervals at which the scans are taken. It is also important to mention that vessels of larger diameters will produce photoacoustic echoes of lower frequency compared with those of smaller diameters. The large vessel low frequency echoes may be difficult to resolve if they are outside of the transducer bandwidth.

A future development for the system is to image in real time by increasing the pulse repetition frequency of the laser (up to 1 KHz), increasing the acquisition transfer speed through hardware, and increasing the speed of the processor which executes beamformation and running the image reconstruction algorithm in C programming, rather than Matlab. The limitation of time between laser shots (analogous to pulse repetition frequency, PRF) is the execution of the Labview program. The Labview program which controls the FIFO to PC transfer creates a data transfer bottleneck as it is not based on a real-time platform, the timing is nondeterministic, and may produce PRF fluctuations in the ms error margin. Although the diode-pumped Nd:YLF laser permits triggering at arbitrary rates unlike flashlamp-pumped lasers, a faster deterministic PRF could provide more uniform energy deposition between laser pulses. The transfer speed control timing issue can be overcome through hardware by providing control signals from a dedicated processor or CPLD. This would alleviate the problem, since both the sampling of RF data (100 MHz) and each 16 channel PC transfer (12.5 MHz) on this PAM system are fast enough for 1 KHz pulse repetition rates and real time imaging. This would eliminate the Labview barrier, delivering completely deterministic control between laser

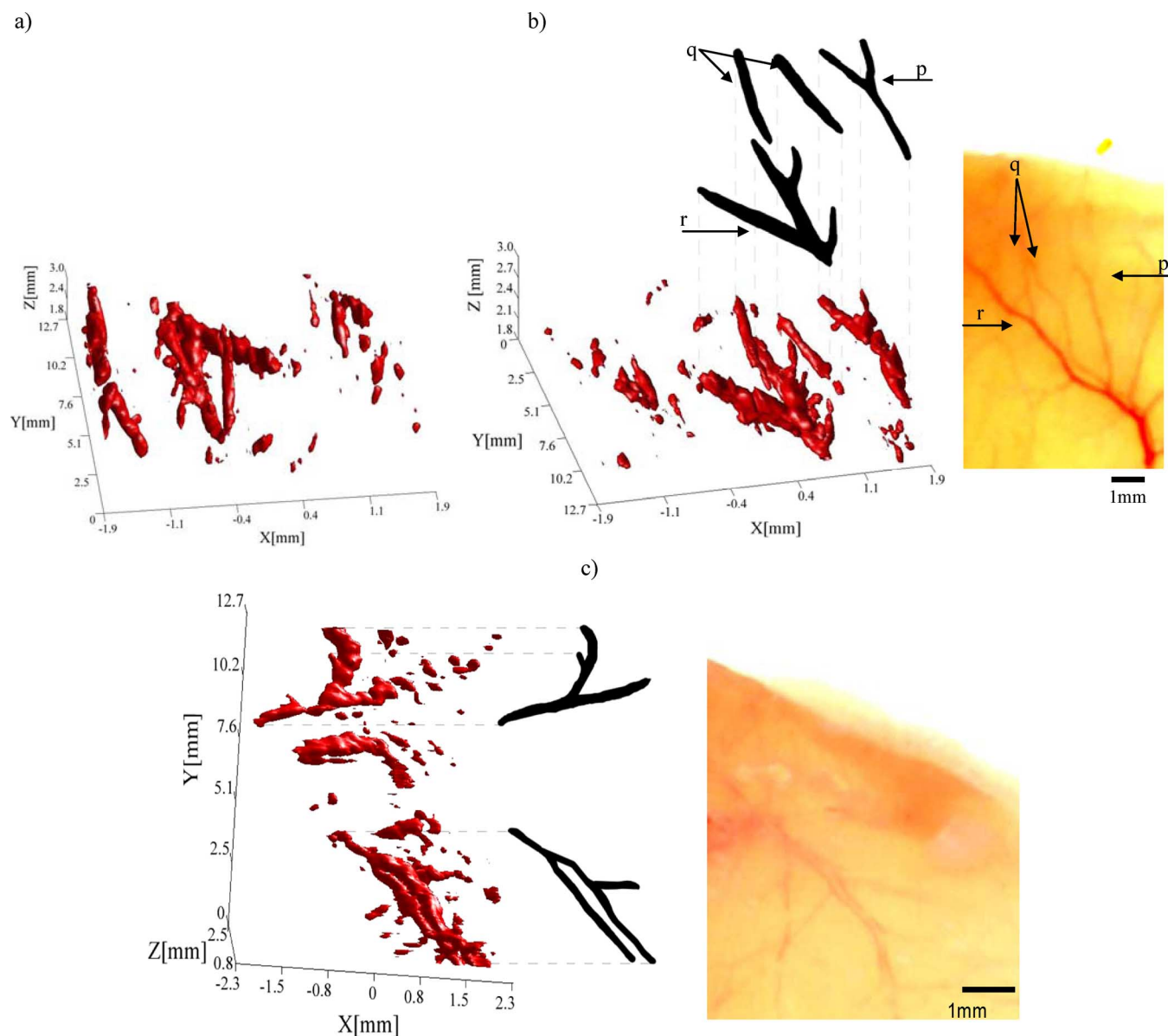


Fig. 8. Three-dimensional PAM images of micro-vessels below the surface of the skin in two Sprague Dawley rats graphed on axis X , Y , Z , representing lateral, scan direction, and depth dimensions, respectively. a) Rat1 PAM image showing micro-vessels with corresponding photo of excised skin b) alternate viewing angle for Rat1 image, and c) Rat2 PAM image with corresponding photograph of excised skin. Markers r , p , and q denote micro-vessels within the tissue.

events and provide data fast enough for 16 channel real time PAM imaging.

VI. CONCLUSION

A new 30 MHz array based photoacoustic imaging system was developed in which raw RF photoacoustic data is accessible for all 48 elements and images were formed after three laser pulses. The 16 channel photoacoustic receive system was fabricated and characterized, then used to create phantom images of $6\ \mu\text{m}$ carbon fibers in water. The $-6\ \text{dB}$ axial and lateral spatial resolution of the system was measured as $45 \pm 5\ \mu\text{m}$ and $100 \pm 5\ \mu\text{m}$, respectively. The dynamic focusing capability was demonstrated through a 12.5 mm depth using a composite image of a carbon fiber matrix. Two-dimensional *in vivo* images were formed of micro-vessel structures in the human hand. Three-dimensional *in vivo* images were also formed of micro-vessels below the surface of the skin in two Sprague Dawley rats.

Photoacoustic microscopy is a nonionizing modality with much room for growth, holding great promise for medical imaging. Some of the most attractive qualities include a scalable resolution and imaging depth dependent upon the ultrasonic transducer frequency, no speckle artifacts, high contrast, and the extension towards real time imaging. To compensate for the limitations of light scattering in deeper tissues and to provide images based on the acoustic and optical properties of the medium, both conventional ultrasound images and photoacoustic images can be used for comparison, and to provide two different types of contrast. A bimodal imaging system could produce a simultaneous display of photoacoustic and pure ultrasonic images acquired from the same cross sections of tissue, supplying an anatomical reference for the photoacoustic signals. Furthermore, these images could be constructed by utilizing the same transducer array for both modalities, offering added diagnostic value without the need for two separate systems.

The high-frequency PAM array system presented in this paper offers a new perspective on the capabilities of photoacoustic imaging. High-resolution photoacoustic images can have applications in oncology by tracking the important vascular structures associated with angiogenesis.

ACKNOWLEDGMENT

The authors would like to thank J. M. Cannata for his work in the design and fabrication of the high-frequency transducer array.

REFERENCES

- [1] J. Folkman, "Angiogenesis in cancer, vascular, rheumatoid and other disease," *Nature Med.*, pp. 27–31, Jan. 1995.
- [2] G. D. Yancopoulos, S. Davis, N. W. Gale, J. S. Rudge, S. J. Weigand, and J. Holash, "Vascular-specific growth factors and blood vessel formation," *Nature*, vol. 407, pp. 242–248, 2000.
- [3] M. Papetti and I. M. Herman, "Mechanisms of normal and tumor-derived angiogenesis," *Amer. J. Physiol.: Cell Physiol.*, vol. 282, no. 5, pp. C947–C970, 2002.
- [4] J. Liu, B. Razani, S. Tang, B. Terman, J. A. Ware, and M. Lisanti, "Angiogenesis activators and inhibitors differentially regulate caveolin-1 expression and caveolae formation in vascular endothelial cells," *J. Biol. Chem.*, vol. 274, no. 22, pp. 15781–15785, 1999.
- [5] M. Kempe, W. Rudolph, and A. Welsch, "Comparative study of confocal and heterodyne microscopy for imaging through scattering media," *J. Opt. Soc. Amer. A: Optics Image Sci.*, vol. 13, pp. 46–52, 1996.
- [6] A. Singh and K. P. Gopinathan, "Confocal microscopy—A powerful technique for biological research," *Current Sci.*, vol. 74, pp. 841–851, 1998.
- [7] R. K. Wang, S. L. Jacques, Z. Ma, S. Hurst, S. R. Hanson, and A. Gruber, "Three dimensional optical angiography," *Optics Express*, vol. 15, pp. 4083–4097, 2007.
- [8] D. Huang, E. A. Swanson, C. P. Lin, J. S. Schuman, W. G. Stinson, W. Chang, M. R. Hee, T. Flotte, K. Gregory, C. A. Puliafito, and J. G. Fujimoto, "Optical coherence tomography," *Science*, vol. 254, pp. 1178–1181, 1991.
- [9] F. A. Duck, *Physical Properties of Tissue*. London, U.K.: Academic, 1990.
- [10] Y. Q. Zhou, F. S. Foster, B. Nieman, L. Davidson, X. J. Chen, and R. M. Henkelman, "Comprehensive transthoracic cardiac imaging in mice using ultrasound biomicroscopy with anatomical confirmation by magnetic resonance imaging," *Physiological Genomics*, vol. 18, pp. 232–244, 2004.
- [11] L. Sun, W. D. Richard, J. M. Cannata, C. C. Fang, J. Johnson, J. T. Yen, and K. K. Shung, "A high-frame rate high-frequency ultrasonic system for cardiac imaging in mice," *IEEE Trans. Ultrason., Ferroelectr., Freq. Control*, vol. 54, no. 8, pp. 1648–1655, Aug. 2007.
- [12] H. F. Zhang, K. Maslov, G. Stoica, and L.-H. Wang, "Functional photoacoustic microscopy for high-resolution and noninvasive in vivo imaging," *Nature Biotechnol.*, vol. 24, pp. 848–851, 2006.
- [13] X. Wang, X. Xie, G. Ku, G. Stoica, and L.-H. Wang, "Non-invasive imaging of hemoglobin concentration and oxygenation in the rat brain using high-resolution photoacoustic tomography," *J. Biomed. Opt.*, vol. 11, no. 2, p. 024015, Mar./Apr. 2006.
- [14] A. A. Karabutov, E. Savateeva, N. Podymova, and A. Oreavsky, "Backward mode detection of laser induced wide band ultrasonic transients with optoacoustic transducer," *J. Appl. Phys.*, vol. 87, pp. 2003–2014, 2000.
- [15] Y. Su, F. Zhang, K. Xu, J. Yao, and R. Wang, "A photoacoustic tomography system for imaging of biological tissues," *J. Phys. D: Appl. Phys.*, vol. 38, pp. 2640–2644, 2005.
- [16] K. Maslov, G. Stoica, and L. H. Wang, "In Vivo dark-field reflection mode photoacoustic microscopy," *Opt. Lett.*, vol. 30, pp. 625–627, 2005.
- [17] S. Sethuraman, S. R. Aglyamov, J. H. Amirian, R. W. Smalling, and S. Y. Emelianov, "Intravascular photoacoustic imaging using an IVUS imaging catheter," *IEEE Trans. Ultrason. Ferroelectr. Freq. Control*, vol. 54, no. 5, pp. 978–986, May 2007.
- [18] M. Xu and L. Wang, "Universal back projection algorithm for photoacoustic computed tomography," *Phys. Rev.*, vol. 71, pp. 1–7, 2005.
- [19] K. Kostli, M. Frenz, H. Bebie, and H. Weber, "Temporal backward projection of optoacoustic transients using Fourier transform methods," *Phys. Med. Biol.*, vol. 46, pp. 1863–1872, 2001.
- [20] X. Wang, Y. Pang, G. Ku, X. Xie, G. Stoica, and L.-H. Wang, "Non-invasive laser-induced photoacoustic tomography for structural and functional imaging of the brain in vivo," *Nature Biotechnol.*, vol. 21, no. 7, pp. 803–806, Jul. 2003.
- [21] M. Xu and L. H. Wang, "Time-domain reconstruction algorithms and numerical simulations for thermoacoustic tomography in various geometries," *IEEE Trans. Biomed. Eng.*, vol. 50, no. 9, p. 1086, Sep. 2003.
- [22] L. V. Wang, M. L. Li, H. F. Zhang, K. Maslov, and G. Stoica, "High resolution photoacoustic tomography in vivo," in *Proc. 2006 IEEE Int. Symp. Biomed. Imag.: Macro Nano*, 2006, pp. 1204–1207.
- [23] J. Cannata and K. K. Shung, "A comparison of model and experiment for a high frequency (35 MHz) ultrasonic array," in *Proc. 2003 IEEE Ultrason. Symp.*, 2003, pp. 1658–1662.
- [24] J. J. Niederhauser, M. Jaeger, R. Lemor, P. Weber, and M. Frenz, "Combined ultrasound and optoacoustic system for real-time high contrast vascular imaging in vivo," *IEEE Trans. Med. Imag.*, vol. 24, no. 4, pp. 436–440, Apr. 2005.
- [25] C. H. Hu, X. C. Xu, J. M. Cannata, J. T. Yen, and K. K. Shung, "Development of a real-time, high-frequency ultrasound digital beamformer for high-frequency linear array transducers," *IEEE Trans. Ultrason. Ferroelectr. Freq. Control*, vol. 53, no. 2, pp. 317–323, Feb. 2006.
- [26] D. McQueen, "Acoustical theory of the photoacoustic effect in gaseous and liquid media," *J. Appl. Phys.*, vol. 12, pp. 1673–1678, 1979.
- [27] W.-F. Cheong, S. A. Prahl, and A. J. Welch, "A review of the optical properties of biological tissues," *IEEE J. Quantum Electron.*, vol. 26, no. 12, pp. 2166–2185, Dec. 1990.
- [28] V. E. Gusev and A. A. Karabutov, *Laser Optoacoustics*. New York: AIP Press, 1993.
- [29] B. T. Cox, S. R. Arridge, K. P. Köstli, and P. C. Beard, "Quantitative photoacoustic imaging: Fitting a model of light transport to the initial pressure distribution," *Proc. SPIE*, vol. 5697, pp. 49–55, 2005.
- [30] H. Xu and M. Patterson, "Determination of the optical properties of tissue-simulating phantoms from interstitial frequency domain measurements of relative fluence and phase difference," *Opt. Express*, vol. 14, pp. 6485–6501, 2006.
- [31] J. M. Cannata, J. Williams, Q. Zhou, T. Ritter, and K. K. Shung, "Development of a 35 MHz piezo-composite ultrasound array for medical imaging," *IEEE Trans. Ultrason. Ferroelectr. Freq. Control*, vol. 53, no. 1, pp. 224–236, Jan. 2006.
- [32] C.-K. Liao, M.-L. Li, and P.-C. Li, "Optoacoustic imaging with synthetic aperture focusing and coherence weighting," *Opt. Lett.*, vol. 29, pp. 2506–2508, 2004.
- [33] R. J. Zemp, R. Bitton, M.-L. Li, K. K. Shung, G. Stoica, and L. V. Wang, "Photoacoustic imaging of the microvasculature with a high-frequency ultrasound array transducer," *J. Biomed. Opt.*, vol. 12, no. 1, pp. 10501–10503, 2007.
- [34] L. Xiang, X. Da, H. Gu, D. Yang, L. Zeng, and S. Yang, "Gold nanoshell-based photoacoustic imaging application in biomedicine," in *Proc. 2006 IEEE Int. Symp. Biophoton., Nanophoton. Metamaterials*, 2006, pp. 76–79.