

SUPPORTING INFORMATION

Characterization of the Temporal Response Profile of Carbon Black - Polymer Composite Detectors to Volatile Organic Vapors

Briglin and Lewis

FIGURE CAPTIONS

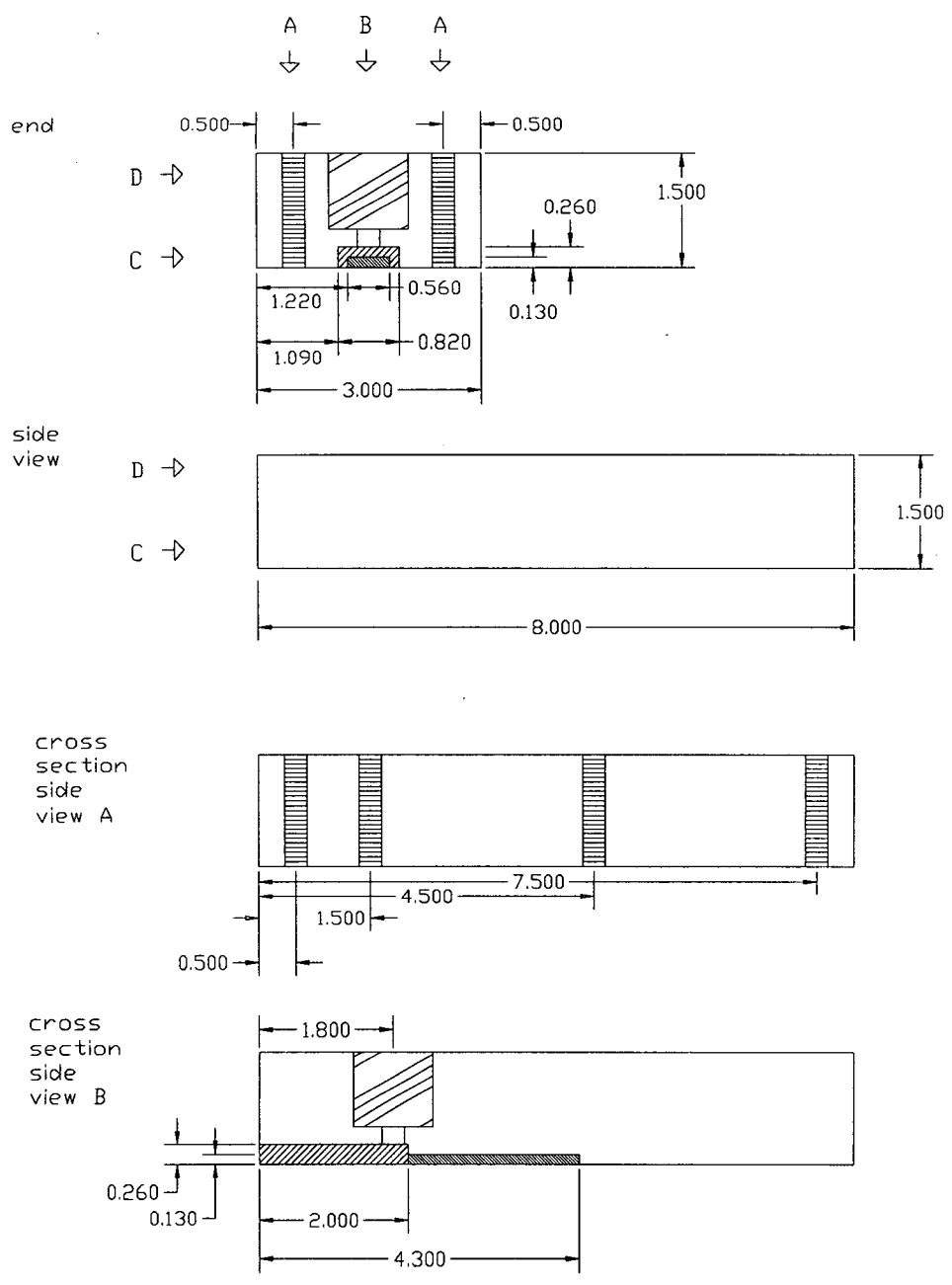
Fig. S1. Dimensioned drawings of the two parts (top and bottom) of the aluminum housing designed to direct air flow and to hold a detector substrate in a quartz inner channel.

a) Side views, cross-sections, and end view cross-sections of the top aluminum part; **b)** Top views and cross-sections of the top aluminum part; **c)** Side views, cross-sections, and end view cross sections of the bottom aluminum part; **d)** Top views and cross-sections of the bottom aluminum part.

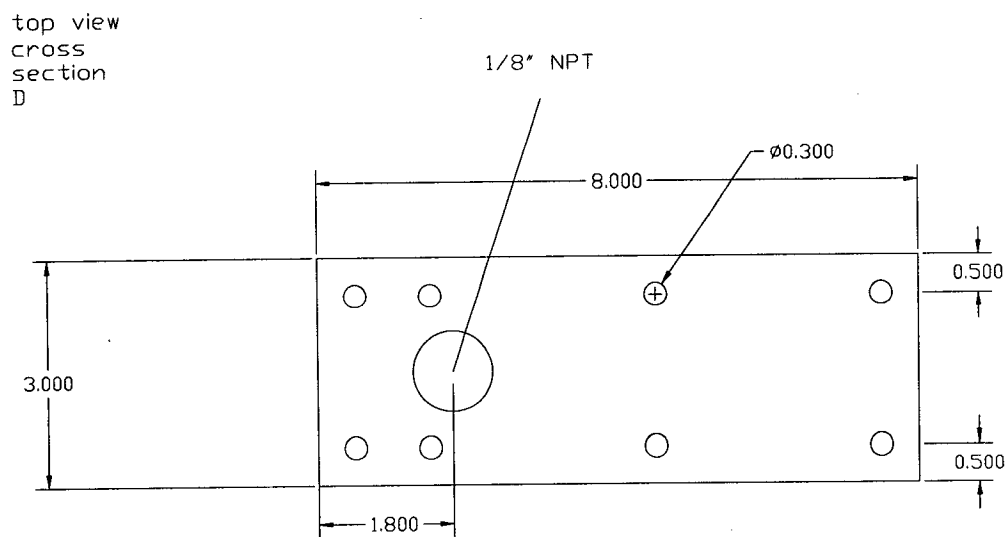
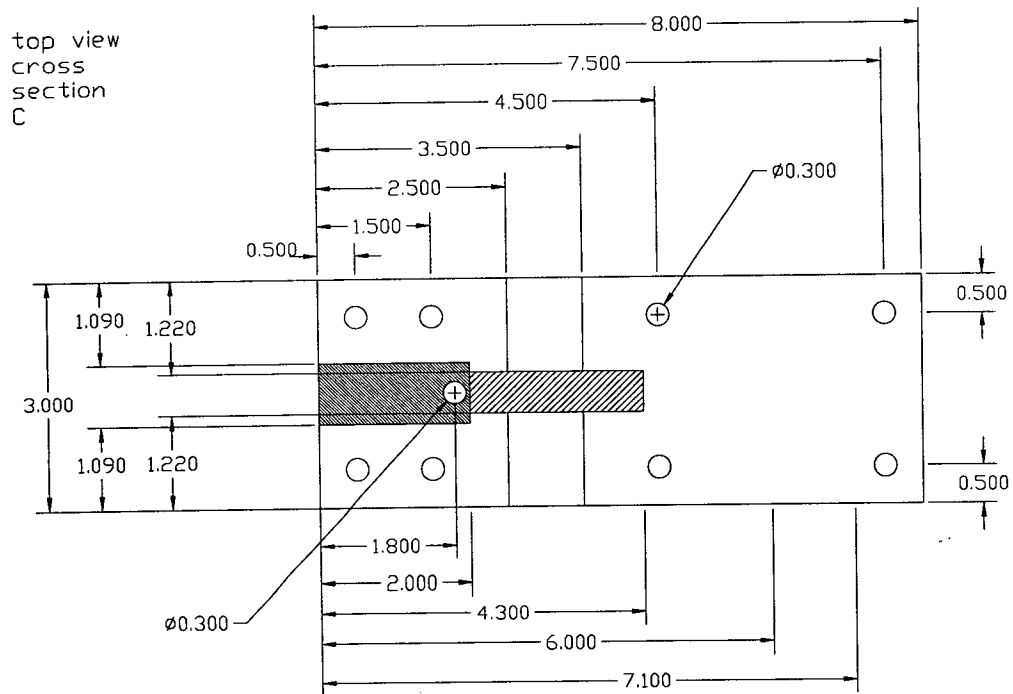
Fig. S2. Dimensioned drawings of the aluminum chopper wheels: **a)** a 5 hole disk **b)** a 2 hole disk. For the experiments reported herein, only the 2 hole disk was used, and 1 of its holes was covered.

Fig. S3. Dimensioned drawings of the glass substrates (gray diagonal lines) designed to fit into the quartz channel. These substrates were patterned with gold/chromium electrodes (black) for films of **a)** moderate resistances and **b)** high resistances

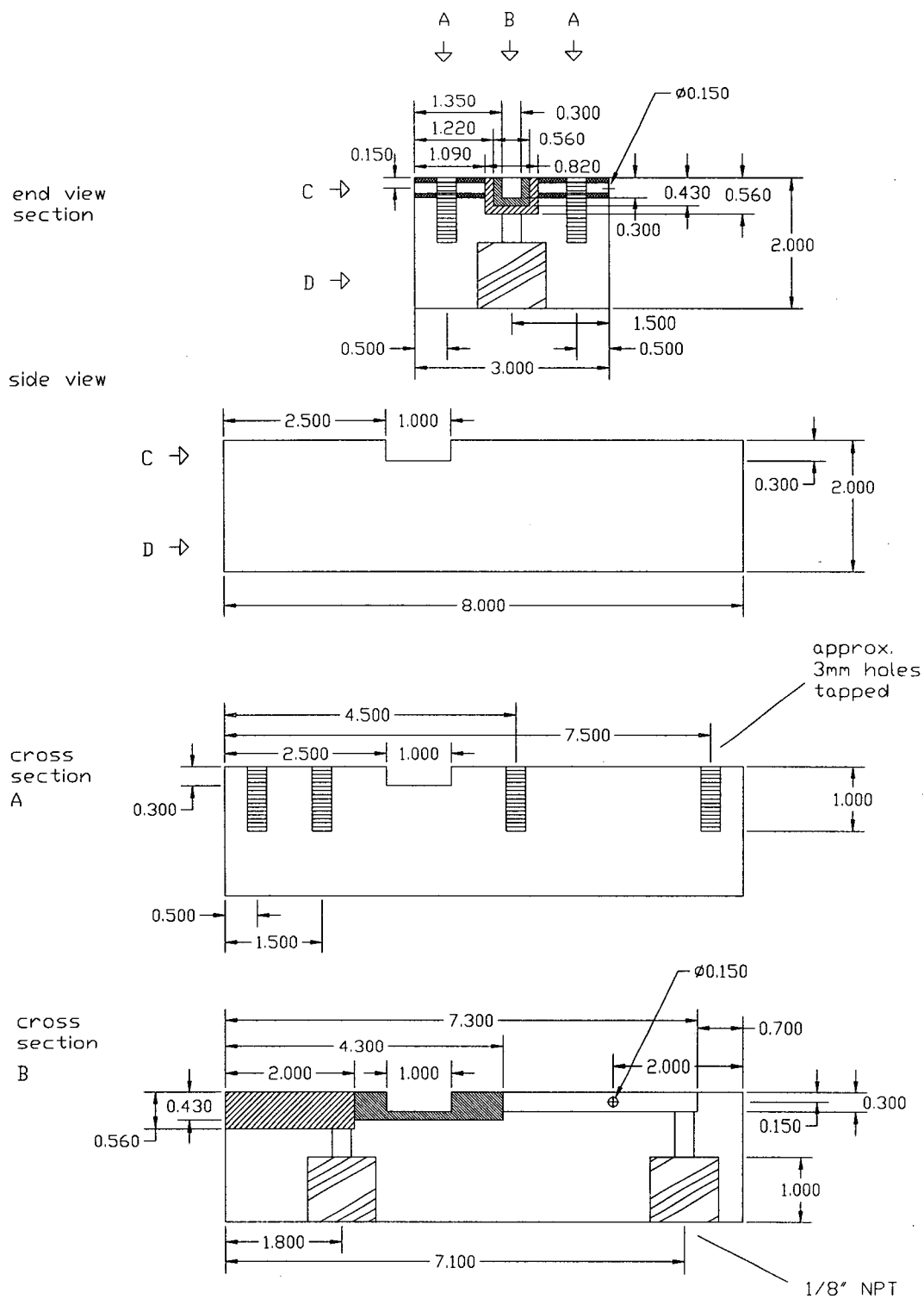
2



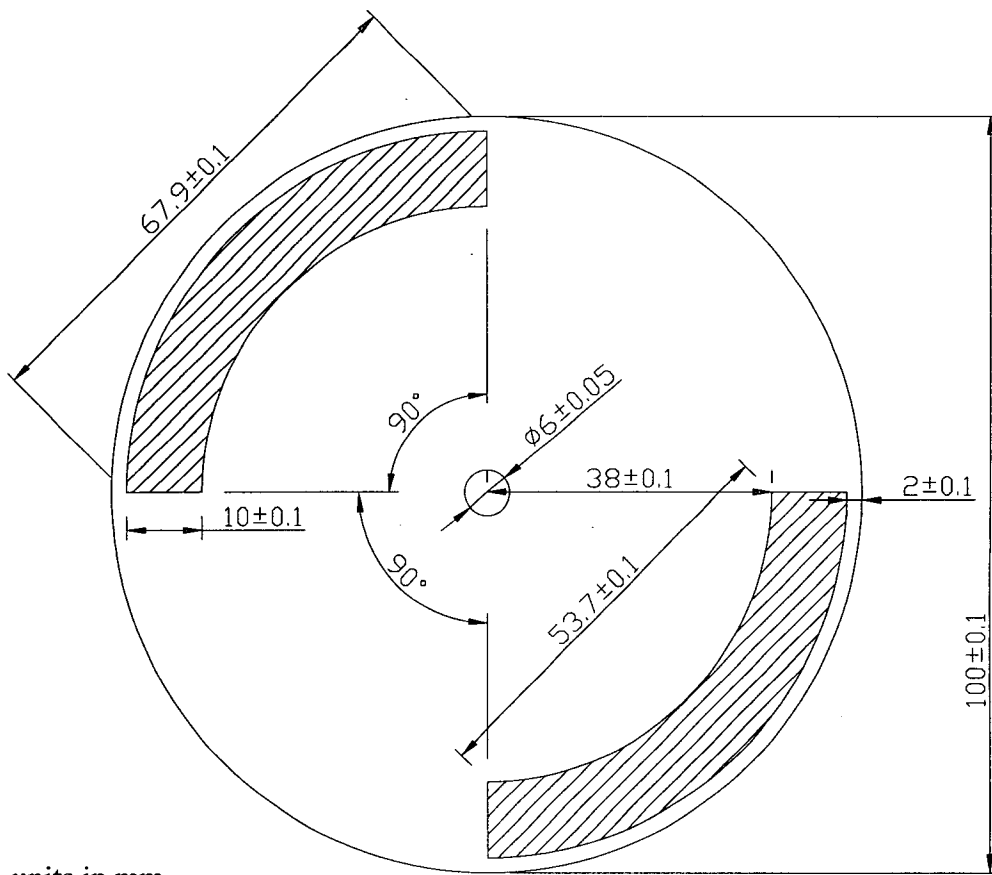
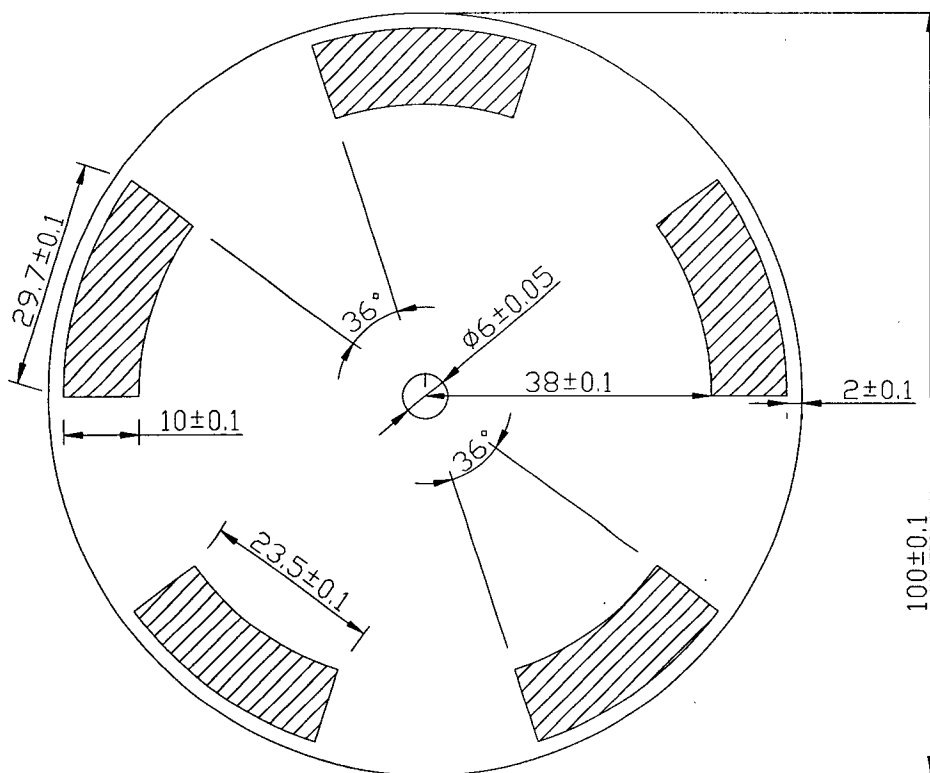
units in cm



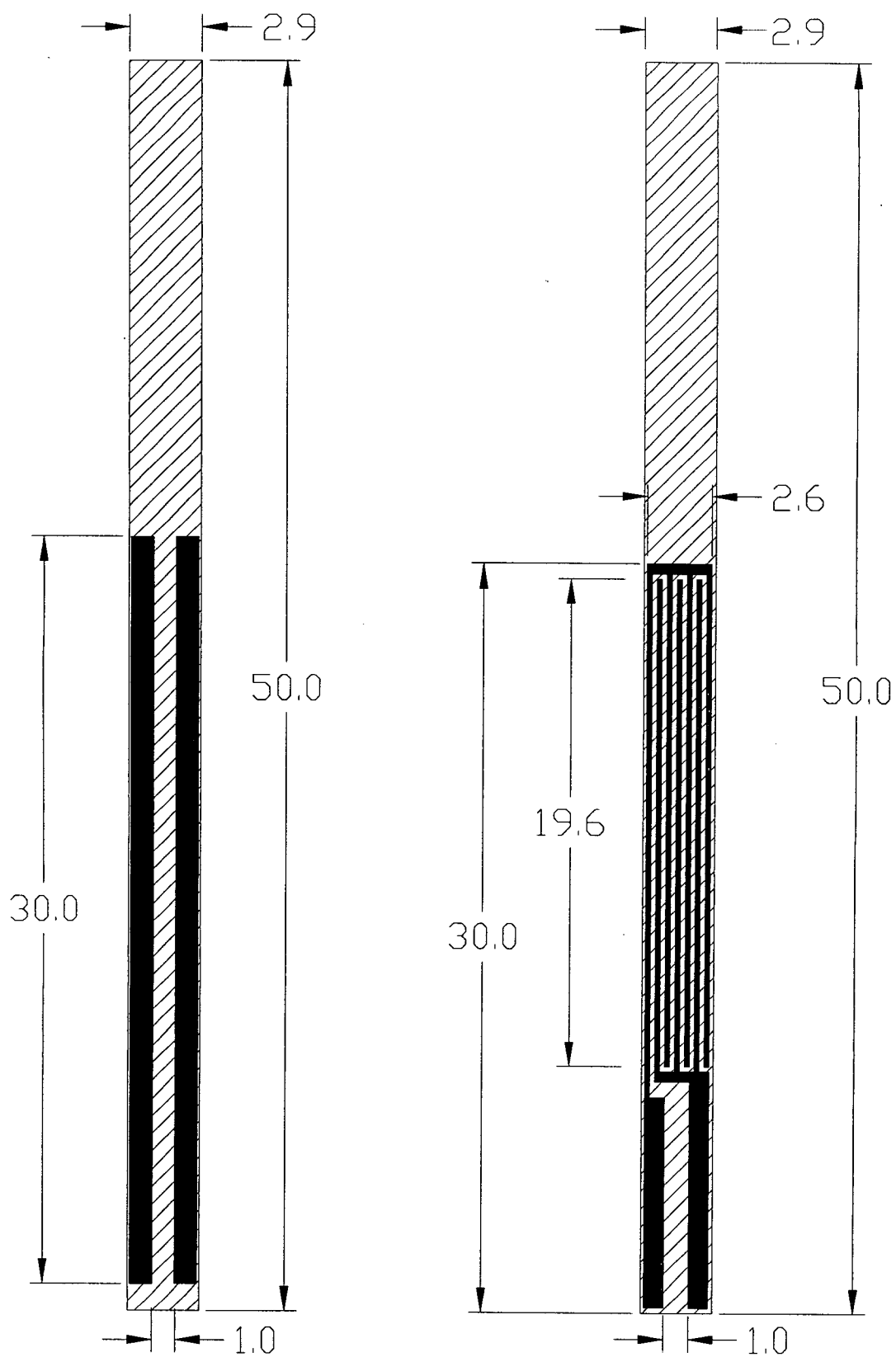
units in cm



units in cm



units in mm



units in mm